

# rotronic

**Datenblatt - Fiche technique - Data sheet**

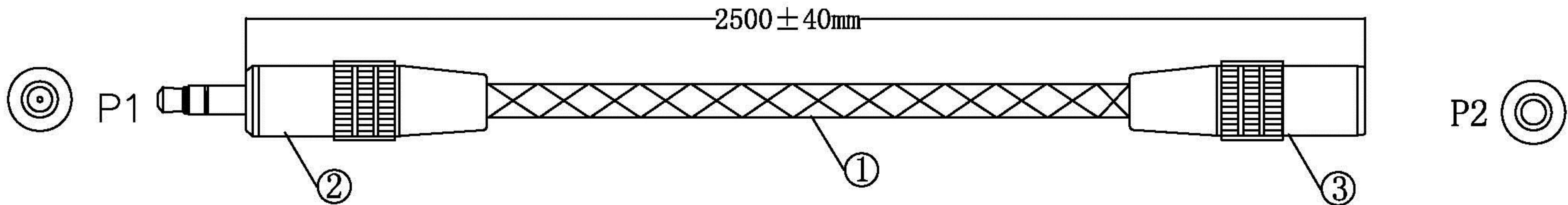
**11.09.4753**



**ROLINE GOLD 3,5mm Audio-Verlängerungskabel Stecker /  
Buchse, 2,5m**

**ROLINE GOLD Câble prolongateur 3,5mm audio M / F, 2,5m**

**ROLINE GOLD 3.5mm Audio Extension Cable,  
Male – Female, 2.5m**



**Electrical Test:**

1. 100%Test(Open ,short ,miss wire)
2. Contact Resistance: 1 ohm Max
3. Insulation Resistance: 10M ohm Min
4. Hi-Pot: 100V DC/10ms

	P1	P2	P3
1		red	1
2		black	2
3		sp	3

REV.	TOLERANCE		DESCRIPTION	DATE
	INCHES	M/M	<b>Rotronic Co., Ltd.</b>	
.X	.015	.30		
.XX	.010	.10		
.XXX	.005	.05		
DRAWN BY <b>JOE</b>			CUSTOMER :	
CHECK BY			CUSTOMER P/N :	<b>11.09.4753</b>
APPD BY			SCALE	NONE
			UNIT	MM
			DATE	2012.10.08
			DRAWING NO:	
			REV	A
				1/2

NO	DESCRIPTION	Q`TY	UNIT
3	DC3.5 F gold plated with copper shell (plated 24K gold)	1	SET
2	DC3.5 M gold plated with copper shell (plated 24K gold)	1	SET
1	NO UL 26AWG*2C(red.black) + S(30/0.10TC) O OD: 5.0MM black + black/gold nylon	L	M