



Datenblatt - Fiche technique - Data sheet

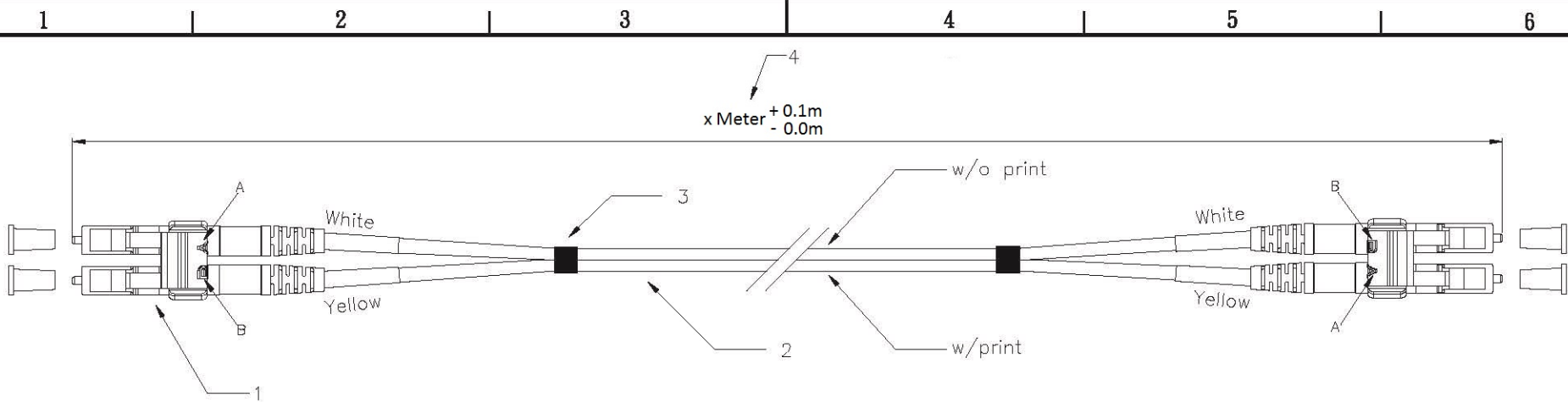
**21.15.8829**



ROLINE LWL-Kabel 50/125 $\mu$ m OM3, LC/LC, Low-Loss-Stecker, 15m

ROLINE Câble FO 50/125 $\mu$ m OM3, LC/LC, connecteurs Low-Loss, 15m

ROLINE FO Jumper Cable 50/125 $\mu$ m OM3, LC/LC, Low-Loss-Connector, 15m



**Specification:**

1. LC(Short boot) Connector :

Mode	Ferrule	Housing	Clip	Boot	Tube	Cap
MM	Zirconia(∅1.25mm)	Ivory(PC)	Ivory(PP)	White(TPE)	White/Yellow(PVC)	White(PE)

2. Cable Type : Zipcord

Category	Jacket O.D.	Jacket Material
OM3(50/125um)	∅2.0mm	PVC OFNR/PVC OFNP/LSFRZH

3. Shrink Tube

4. Length : xMeter(see below chart)

5. Minimum of the bending radius: 60mm

**Performance:**

a. Insertion Loss :

a-1: Multimode<0.5 dB(Low loss<0.15 dB)

a-2: Singlemode<0.3 dB

b. Return Loss :

b-1: Singlemode/SPC>45 dB

b-2: Singlemode/UPC>55 dB

c. Fiber Extention : -0.05um < H < +0.05um

d. ∅1.25mm Ferrule End-face Radius : 7 < R < 25mm

e. Apex Offset : < 50um

f. Insertion Loss will be Increased after 500 mating : 0.2 dB Max

g. Operating Temperature : -20°C to +70°C

h. Storage Temperature : -40°C to +80°C

**Item no. Chart**

21.15.8829	15m
21.15.8830	20m

Item no.	21.15.8829, 21.15.8830			
Description	ROLINE Fiber Optical Cable, OM3, 50/125um, LC/LC, Low Loss, LSOH, light blue			
"#": Matching DIM.	DRAWING	21.Au1.2014	byz	<b>rotronic</b>
"*": Important DIM.	CHECK	21.Au1.2014	Jane	
Others General DIM.	APPROVAL	21.Au1.2014	Frank	
GENERAL TOLERANCE OF DIMENSIONS		DATE	NAME	
X.XXX ±0.005	X.XX ±0.05	X.X ±0.1	SCALE	1/1 (A4) UNIT mm
		DRAWING NO.	Zipcord LC-LC(Short boot)(SA3)	
		DRAWING CLASSIFICATION	S	SHEET 1 OF 1

No.	MODIFIED AREA	ORIGINAL	MODIFY	DATE	MODIFIER