



Datenblatt - Fiche technique - Data sheet

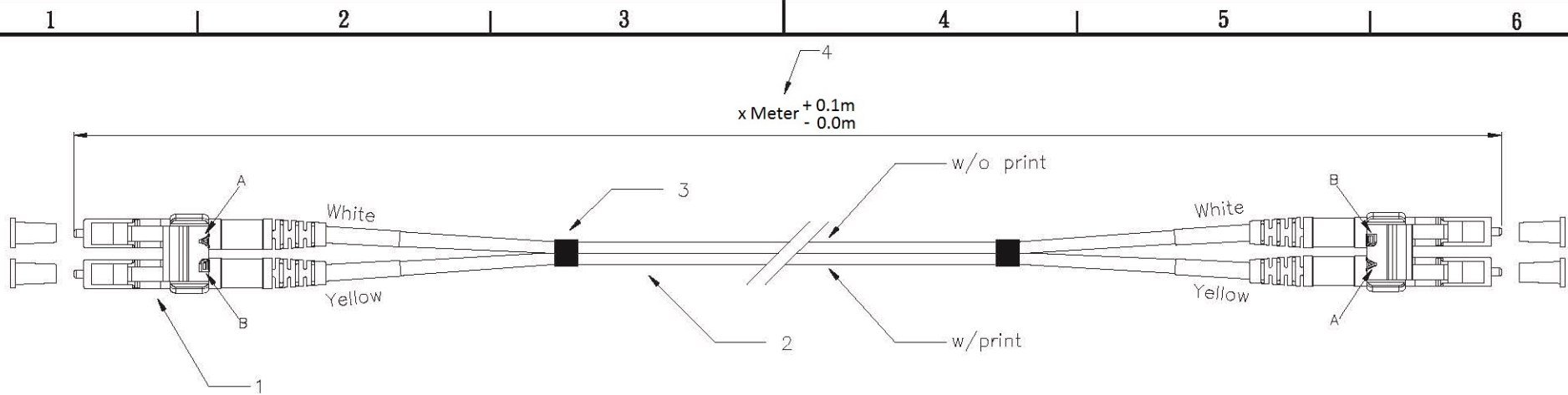
21.15.8859



ROLINE LWL-Kabel 50/125 μ m OM4, LC/LC, Low-Loss-Stecker, 15m

ROLINE Câble FO 50/125 μ m OM4, LC/LC, connecteurs Low-Loss, 15m

ROLINE FO Jumper Cable 50/125 μ m OM4, LC/LC, Low-Loss-Connector, 15m



Specification:

1. LC(Short boot) Connector :

Mode	Ferrule	Housing	Clip	Boot	Tube	Cap
MM	Zirconia(ø1.25mm)	Ivory(PC)	Ivory(PP)	White(TPE)	White/Yellow(PVC)	White(PE)

2. Cable Type : Zipcord

Category	Jacket O.D.	Jacket Material
OM3(50/125um)	ø2.0mm	PVC OFNR/PVC OFNP/LSFRZH

3. Shrink Tube

4. Length : xMeter(see below chart)

5. Minimum of the bending radius: 60mm

Performance:

a. Insertion Loss :

a-1: Multimode<0.5 dB(Low loss<0.15 dB)

a-2: Singlemode<0.3 dB

b. Return Loss :

b-1: Singlemode/SPC>45 dB

b-2: Singlemode/UPC>55 dB

c. Fiber Extention : $-0.05\mu\text{m} < H < +0.05\mu\text{m}$

d. ø1.25mm Ferrule End-face Radius : $7 < R < 25\text{mm}$

e. Apex Offset : $< 50\mu\text{m}$

f. Insertion Loss will be Increased after 500 mating : 0.2 dB Max

g. Operating Temperature : -20°C to $+70^{\circ}\text{C}$

h. Storage Temperature : -40°C to $+80^{\circ}\text{C}$

Item no. Chart

21.15.8859	15m
21.15.8860	20m

Item no.	21.15.8859, 21.15.8860		
Description	ROLINE Fiber Optical Cable, OM4, 50/125um, LC/LC, Low Loss, LSOH, erika-violet		
"#": Matching DIM.	DRAWING	21.Au1.2014	byz
"*": Important DIM.	CHECK	21.Au1.2014	Jane
Others General DIM.	APPROVAL	21.Au1.2014	Frank
GENERAL TOLERANCE OF DIMENSIONS	DATE	NAME	
X.XXX ±0.005	SCALE	1/1 (A4)	UNIT mm
X.XX ±0.05	DRAWING NO. Zipcord LC-LC(Short boot)(SA3)		
X.X ±0.1	DRAWING CLASSIFICATION S SHEET 1 OF 1		

rotronic

No.	MODIFIED AREA	ORIGINAL	MODIFY	DATE	MODIFIER