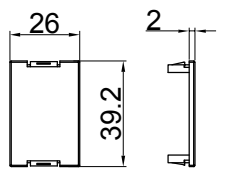
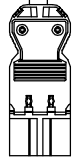
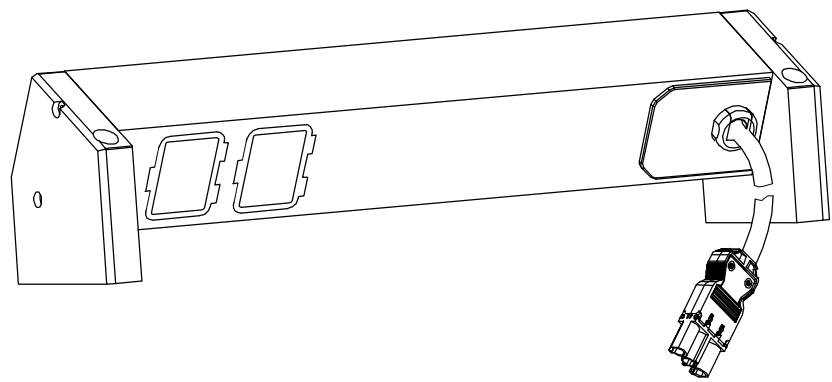
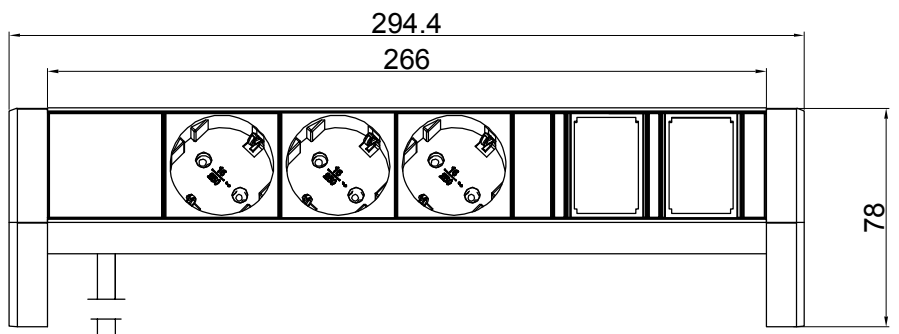
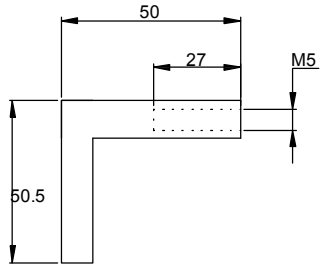
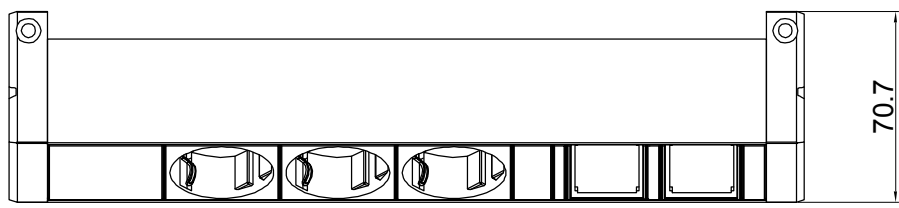


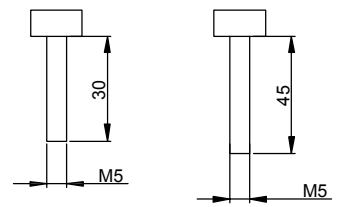
RoHS Compliant



Blank module cover 2PCS



DS Fixing Bolt 2PCS



Screw M5x30 2PCS
Screw M5x45 2PCS

Desk-Top Series	OUTPUT	OPERATING TEMPERATURE
	(3) Schuko Socket with children (16A Rated) (2) Empty module	0° to 60°C
INPUT	BRANCH CIRCUITS	MOUNTING ACCESORIES
250VAC 16A 50HZ EPN1104 Socket 0.6M H05VV-F3G1.5mm ² Power lead	(NONE)	(2)DS Fixing Bolt (2)Screw M5x30 (2)Screw M5x45

Revisions		
Rev	Description	Date

DRAWING TYPE	
 <small>(NO PERMISSION.NO CHANGING)</small>	
unit=mm	
TECHNICAL STANDARD 1.IT11; 2.NO RUSTNESS 3.NO FLAW ON THE SURFACE	
FILLET	R0.5
ANGLE	±0.5°
FIRST ANGLE	
SCALE 1:3	

Housing	BN3219
	Aluminar (Grey)
	Endcover PA6GF (Black)
	PDS7032
PLENTY	
DATE 27-06-2018	