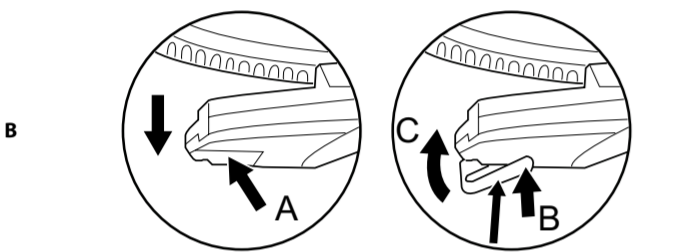
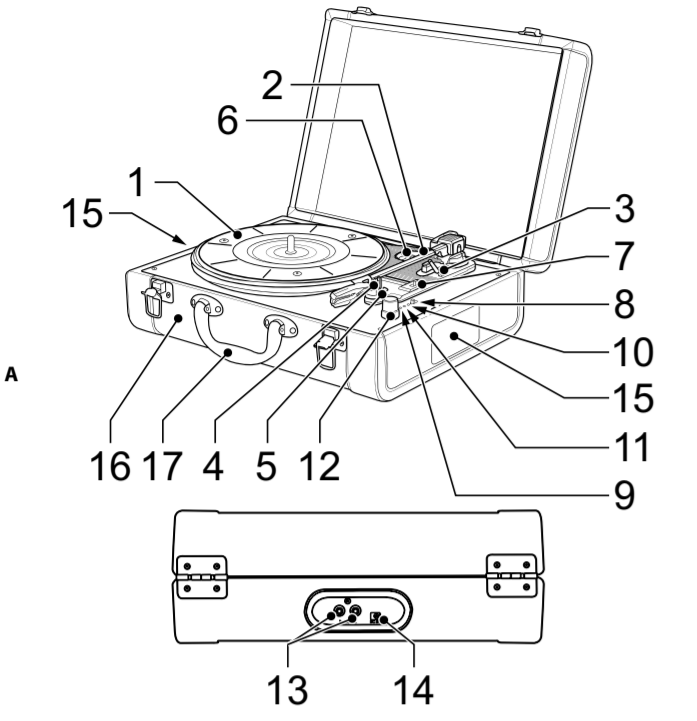


TURN210BK with built-in speakers



Specifications:

- RMS: 2x3 W
- Peak power: 2x9 W
- Bluetooth version: 4.2
- Bluetooth frequency range: 2400 - 2483.5 MHz
- Max. RF transmission power: 0 dBm
- Speed: 33, 45, 78 rpm
- Turntable type: Manual
- Type of drive: Belt-drive
- Connections: RCA output (Red, White)
- Maximum Playtime: 4 Hours
- Internal battery: 1200 mAh Lithium-ion

English - Description (fig. A)

	<ul style="list-style-type: none"> Place the vinyl record onto the turntable. Remove the stylus cover by gently sliding the cover away from the tonearm. Push the tonearm lock aside to unlock the tonearm. Use the tonearm lifter to lift the tonearm or manually lift the tonearm. Place the tonearm onto the outer edge of the vinyl record. The turntable starts to rotate and play the vinyl record automatically. Lift the tonearm. Place the tonearm into the tonearm rest. Engage the tonearm lock to lock the tonearm. Remove the vinyl record from the turntable. <p>Note: Before transport, make sure that the tonearm is locked.</p>
6. 45 rpm adapter	Use the 45 rpm adapter to listen to the 45 rpm vinyl records.
7. Speed selector	Use the speed selector to select the speed (33/45/78 rpm).
8. Mode switch	Set the switch to "TURNTABLE" to set the turntable mode. Set the switch to "BLUETOOTH" to set the Bluetooth mode.
9. Power indicator	The indicator lights red when the device is switched on.
10. Charging indicator	The indicator lights green when the device is being charged.
11. Bluetooth indicator	The indicator lights blue in Bluetooth mode.

12. On/off dial	<ul style="list-style-type: none"> Turn the dial clockwise to the "ON" position to switch on the device. Turn the dial counter-clockwise to the "OFF" position to switch off the device. <p>Volume dial</p> <ul style="list-style-type: none"> Turn the dial clockwise to increase the volume. Turn the dial counter-clockwise to decrease the volume.
13. RCA output (red/white)	<ul style="list-style-type: none"> To use an external amplifier, connect the RCA cable to the RCA output of the device and to the external amplifier. Make sure that each plug of the RCA cable is connected according to the corresponding colour (red/white).
14. DC input (SV1,0A)	<ul style="list-style-type: none"> Fully charge the battery before first use. The charging duration is 2-3 hours. To charge the device, connect the USB cable to the DC input of the device and to the USB port of the USB charger (SV1,0A). The charging indicator lights green when the device is being charged. The charging indicator goes off when the device is fully charged. If the device is fully charged, disconnect the USB cable from the DC input of the device and the USB port of the USB charger. <p>Note: The device can be operated during the charging process, but it may take longer to fully charge the device.</p>

15. Speaker	
16. Suitcase	<ul style="list-style-type: none"> If you play vinyl records, open the suitcase. If you do not play vinyl records, close the suitcase.
17. Carrying handle	

Use

- Bluetooth mode**
 - Remove the stylus cover by gently sliding the cover away from the tonearm.
 - Select Bluetooth mode with the mode switch.
 - The Bluetooth indicator flashes blue. The device is in pairing mode.
 - Activate Bluetooth on your Bluetooth device.
 - Search for new devices on the Bluetooth device.
 - Select the device: "TURN210BK". If a password is required, enter "0000".
 - If the pairing is completed, the LED indicator will light blue.

Replacing the turntable stylus (fig. B)

The turntable stylus lasts for approximately 450 hours under normal operation. It is recommended to replace the turntable stylus as soon as you notice a change in the sound quality. The use of a worn-out turntable stylus can cause damage to the vinyl records. 78 rpm vinyl records will wear out the turntable stylus more quickly than 33/45 rpm vinyl records.

Warning!

- Before replacing the turntable stylus, make sure that the device is switched off.
- Do not bend or touch the turntable stylus.

Remove the old turntable stylus

- Carefully place a screwdriver at the tip of the turntable stylus and push the turntable stylus downward (A).
- Remove the old turntable stylus by pulling it down and forward simultaneously.

To install the new turntable stylus

- Hold the turntable stylus at the front edge and insert the rear edge of the turntable stylus into the tonearm (B).
- Push the turntable stylus upward to lock it into position (C).

Technical data

Frequency range	2400-2483.5 MHz
Maximum transmission power	4 dBm

Safety

General safety

- Read the manual carefully before use. Keep the manual for future reference.
- The manufacturer is not liable for consequential damages or for damages to property or persons caused by non-observance of the safety instructions and improper use of the device.
- The device can be used by children from 8 years and above and by persons with a physical, sensory, mental or motor disability or lack of experience if they are supervised or instructed on how to use the device in a safe way and understand the hazards involved. Children shall not play with the device. Cleaning and user maintenance shall not be made by children without supervision.
- Only use the device for its intended purposes. Do not use the device for other purposes than described in the manual.
- Do not use the device if any part is damaged or defective. If the device is damaged or defective, replace the device immediately.
- The device is suitable for indoor use only. Do not use the device outdoors.
- The device is suitable for domestic use only. Do not use the device for commercial purposes.
- Do not use the device in locations with high humidity, such as bathrooms and swimming pools.
- Do not use the device in open water baths, showers, basins or other vessels containing water.

Electrical safety



- To reduce risk of electric shock, this product should only be opened by an authorized technician when service is required. Disconnect the product from the mains and other equipment if a problem should occur.
- Do not use the device if the mains cable or mains plug is damaged or defective. If the mains cable or mains plug is damaged or defective, it must be replaced by the manufacturer or an authorized repair agent.
- Before use, always check that the mains voltage is the same as the voltage on the rating plate of the device.
- Do not use the device by pulling the mains cable. Make sure that the mains cable cannot become entangled.
- Do not immerse the device in water or other liquids.
- Do not leave the device unattended while the mains plug is connected to the mains supply.
- Do not use an extension cable.

Cleaning and maintenance

Warning!

- Before cleaning or maintenance, always switch off the device.
- Do not use cleaning solvents or abrasives.
- Do not clean the inside of the device.
- Do not attempt to repair the device. If the device does not operate correctly, replace it with a new device.
- Do not immerse the device in water or other liquids.
- Clean the device using a soft, damp cloth. Thoroughly dry the device with a clean, dry cloth.

Vinyl records

- Hold vinyl records at the edges with clean hands.
- Do not touch the surface of vinyl records in order to maintain the sound quality.
- Do not touch the grooves of vinyl records.
- Store vinyl records upright and in their protective sleeve when not in use.

Support

If you need further help or have comments or suggestions please visit www.nedis.com/support

Contact

NEDIS B.V., De Tweeling 28, 5215 MC 's-Hertogenbosch, The Netherlands

Nederlands - Beschrijving (fig. A)

1. Draaitafel	<ul style="list-style-type: none"> Plaats de vinylplaat op de draaitafel. Verwijder het naaldkapje door de kap voorzichtig van de toonaarm weg te schuiven. Push the tonearm lock aside to unlock the tonearm. Use the tonearm lifter to lift the tonearm or manually lift the tonearm. Place the tonearm onto the outer edge of the vinyl record. The turntable starts to rotate and play the vinyl record automatically. Lift the tonearm. Place the tonearm into the tonearm rest. Engage the tonearm lock to lock the tonearm. Remove the vinyl record from the draaitafel. <p>Note: Before transport, make sure that the tonearm is locked.</p>
2. Toonaarmhendel	Gebruik de toonaarmhendel om de toonaarm omhoog te brengen of de toonaarm automatisch af te spelen.
3. Toonaarmteugel	Gebruik de toonaarmteugel om de toonaarm in de toonaarmstunp te plaatsen.
4. Toonaarmvering	Gebruik de toonaarmvering om de toonaarm te vergrendelen.
6. 45-toonaaradapter	Gebruik de 45-toonaaradapter om naar 45-toonaarplaten te luisteren.
7. Snelheidsregelaar	Gebruik de snelheidsregelaar om de snelheid te selecteren (33/45/78 toeren).
8. Modusselectieknop	Zet de schakelaar op "TURNTABLE" om de draaitafelmodus in te stellen. Zet de schakelaar op "BLUETOOTH" om de Bluetooth-modus in te stellen.
9. Voedingindicator	De indicator brandt rood wanneer het apparaat is ingeschakeld.
10. Opladindicator	De indicator brandt groen wanneer het apparaat wordt opgeladen.
11. Bluetooth-indicator	De indicator brandt blauw in de Bluetooth-modus.

12. Aan/uit-knop	<ul style="list-style-type: none"> Draai de knop rechtsonaar naar de stand "ON" om het apparaat in te schakelen. Draai de knop linksnaar naar de stand "OFF" om het apparaat uit te schakelen.
13. RCA-uitgang (rood/wit)	<ul style="list-style-type: none"> Sluit voor het gebruik van een externe versterker de RCA-kabel aan op de RCA-uitgang van het apparaat en op de externe versterker. Zorg ervoor dat iedere plug van de RCA-kabel is aangesloten conform de overeenstemmende kleur (rood/wit).

14. DC-ingang (SV1,0A)	<ul style="list-style-type: none"> Fully charge the battery before first use. The charging duration is 2-3 hours. To charge the device, connect the USB cable to the DC input of the device and to the USB port of the USB charger (SV1,0A). The charging indicator lights green when the device is being charged. The charging indicator goes off when the device is fully charged. If the device is fully charged, disconnect the USB cable from the DC input of the device and the USB port of the USB charger. <p>Note: The device can be operated during the charging process, but it may take longer to fully charge the device.</p>
15. Speaker	<ul style="list-style-type: none"> Open de koffer als u vinylplaten afspeelt. Sluit de koffer af u geen vinylplaten afspeelt.
17. Draaigreep	

Gebruik

- Schakel het apparaat in.**
- Selecteer de Bluetooth-modus met de modusselectieknop.
- De Bluetooth-indicator knippert blauw. Het apparaat bevindt zich in koppelingsmodus.
- Activeer Bluetooth op uw Bluetooth-apparaat.
- Zoek naar nieuwe apparaten op het Bluetooth-apparaat.
- Selecteer het apparaat: "TURN210BK". Voer "0000" in als een wachtwoord vereist is.
- Na voltooiing van de koppeling zal de LED-indicator blauw branden.

De naald vervangen (fig. B)

The turntable stylus lasts for approximately 450 hours. It is recommended to replace the stylus as soon as you notice a change in the sound quality. The use of a worn-out stylus can cause damage to the vinyl records. 78 rpm records will wear out the stylus more quickly than 33/45 rpm records.

Waarschuwing!

- Before replacing the stylus, make sure that the device is switched off.
- Do not bend or touch the stylus.

De oude naald verwijderen:

- Place a screwdriver at the tip of the stylus and push the stylus downward (A).
- Remove the old stylus by pulling it down and forward simultaneously.

De nieuwe naald installeren:

- Hold the stylus at the front edge and insert the rear edge of the stylus into the tonearm (B).
- Push the stylus upward to lock it into position (C).

Technische gegevens

Frequentiebereik	2400-2483.5 MHz
Maximaal zendvermogen	4 dBm

Veiligheid

- Lees voor gebruik de handleiding zorgvuldig door. Bewaar de handleiding voor latere raadpleging.
- Koppel het product los van het stopcontact en van andere apparatuur als zich problemen voordoen.
- Gebruik het apparaat niet als het stopcontact of de netstekker beschadigd of defect is. Indien het nettoeroer of de netstekker beschadigd of defect is, moet het onderdord door de fabrikant of een erkend servicecentrum worden vervangen.
- Controleer voor gebruik altijd de netspanning overeenkomstig de spanning op het typeplaatje van het apparaat.
- Vervlaats het apparaat niet door aan het nettoeroer te trekken. Zorg dat het nettoeroer niet in de war kan raken.
- Dompel het apparaat, het nettoeroer of de netstekker niet onder in water of andere vloeistoffen.
- Laat het apparaat niet onbetoord achter terwijl de netstekker op de netspanning is aangesloten.
- Gebruik geen verlengsnoer.

Reiniging en onderhoud

Waarschuwing!

- Schakel voor reiniging en onderhoud altijd het apparaat uit.
- Gebruik geen reinigingsmiddelen of schuumdelen.
- Reinig niet de beweeglijke van het apparaat.
- Probeer het apparaat niet te repareren. Indien het apparaat juist werkt, vervang het dan door een nieuw apparaat.
- Dompel het apparaat niet onder in water of andere vloeistoffen.

Reinig het apparaat met een zachte, vochtige doek.

- Droog het apparaat grondig af met een schone, droge doek.

Vinylplaten

- Hold vinylplaten aan de randen vast met schone handen.
- Raak het oppervlak van vinylplaten niet aan om de geluidskwaliteit te behouden.
- Raak de groeven van vinylplaten niet aan.
- Bewaar vinylplaten rechtop en in hun beschermhoes wanneer ze niet worden gebruikt.

Support

Bezoek voor hulp of als u een opmerking of suggestie heeft een bezoek aan www.nedis.com/support

Contact

NEDIS B.V., De Tweeling 28, 5215 MC 's-Hertogenbosch, Nederland

Deutsch - Beschreibung (Abb. A)

1. Plattenspieler	<ul style="list-style-type: none"> Legen Sie die Schallplatte auf den Plattenspieler. Entfernen Sie die Nadelabdeckung, indem Sie die Abdeckung vorsichtig vom Tonarm alternativ manuell an. Schieben Sie die Verriegelung des Tonarms zu Seite, um den Tonarm zu entriegeln. Verwenden Sie den Tonarmheber, um den Tonarm anzuhoben. Heben Sie den Tonarm alternativ manuell an. Setzen Sie den Tonarm auf die äußere Kante der Schallplatte auf. Der Plattenspieler beginnt automatisch, sich zu drehen und die Schallplatte abzuspielen. Heben Sie den Tonarm an. Setzen Sie den Tonarm auf die Tonarmstütze ab. Lassen Sie die Verriegelung des Tonarms einrasten, um den Tonarm zu verriegeln. Nehmen Sie die Schallplatte vom Plattenspieler. <p>Hinweis: Stellen Sie vor dem Transport sicher, dass der Tonarm verriegelt ist.</p>
6. 45 U/Min. Adapter	Verwenden Sie den 45 U/Min. Adapter, um Schallplatten mit 45 U/Min. abzuspielen.
7. Geschwindigkeitswahl	Verwenden Sie den Geschwindigkeitswähler, um die Geschwindigkeit (33/45/78 U/Min.) zu wählen.
8. Modusumschalter	Stellen Sie den Schalter auf "TURNTABLE", um den Plattenspieler-Modus einzustellen. Stellen Sie den Schalter auf "BLUETOOTH", um den Bluetooth-Modus einzustellen.
9. Betriebsanzeige	Die Anzeige leuchtet rot, wenn das Gerät eingeschaltet wird.
10. Ladeanzeige	Die Anzeige leuchtet grün, wenn das Gerät aufgeladen wird.
11. Bluetooth-Anzeige	Die Anzeige leuchtet im Bluetooth-Modus blau auf.

Ein-Aus-Drehknopf	<ul style="list-style-type: none"> Bedienelement zum Ein- und Ausschalten des Geräts. Drehen Sie den Knopf im Uhrzeigersinn in die Position „ON“, um das Gerät einzuschalten. Wählen Sie den Knopf gegen den Uhrzeigersinn in die Position „OFF“, um das Gerät auszuschalten. Drehen Sie den Regler im Uhrzeigersinn, um die Lautstärke zu erhöhen. Drehen Sie den Regler gegen den Uhrzeigersinn, um die Lautstärke zu verringern.
13. RCA-Ausgang (rot/weiß)	<ul style="list-style-type: none"> Um einen externen Verstärker zu benutzen, verbinden Sie das RCA-Kabel mit dem RCA-Ausgang des Geräts und dem externen Verstärker. Stellen Sie sicher, dass jeder Stecker des RCA-Kabels entsprechend der richtigen Farbe (rot/weiß) angeschlossen ist.

14. DC-Eingang (SV1,0A)	<ul style="list-style-type: none"> Laden Sie den Akku vor dem ersten Gebrauch vollständig auf. Die Ladezeit beträgt ca. 2 bis 3 Stunden. Um das Gerät aufzuladen, schließen Sie das USB-Kabel an den DC-Eingang des Geräts und den USB-Anschluss des USB-Ladegeräts (SV1,0 A) an. Die Ladeanzeige leuchtet grün, wenn das Gerät aufgeladen wird. Die Ladeanzeige erlischt, wenn das Gerät vollständig aufgeladen ist. Sobald das Gerät vollständig aufgeladen ist, trennen Sie das USB-Kabel vom DC-Eingang des Geräts und dem USB-Anschluss des USB-Ladegeräts. <p>Hinweis: Das Gerät kann während des Ladeprozesses bedient werden, jedoch kann es länger dauern, bis das Gerät vollständig aufgeladen ist.</p>
-------------------------	---

15. Lautsprecher	<ul style="list-style-type: none"> Öffnen Sie den Koffer, wenn Sie Schallplatten abspielen möchten. Falls Sie keine Schallplatten abspielen möchten, schließen Sie den Koffer.
17. Tragegriff	

Gebrauch

- Bluetooth-Modus**
 - Schalten Sie das Gerät ein.
 - Wählen Sie den Bluetooth-Modus mit dem Modusumschalter aus.
 - Die Bluetooth-Anzeige blinkt blau. Das Gerät befindet sich im Koppellingsmodus.
 - Aktivieren Sie die Bluetooth-Funktion an Ihrem Bluetooth-Gerät.
 - Suchen Sie nach dem Bluetooth-Gerät, das Sie verbinden möchten.
 - Wählen Sie das Gerät: "TURN210BK". Wenn ein Passwort erforderlich ist, geben Sie "0000" ein.
 - Ist die Koppeling abgeschlossen, leuchtet die LED-Anzeige grün.

Ersetzen der Plattenspielnadel (Abb. B)

The turntable stylus lasts for approximately 450 hours. It is recommended to replace the stylus as soon as you notice a change in the sound quality. The use of a worn-out stylus can cause damage to the vinyl records. 78 rpm records will wear out the stylus more quickly than 33/45 rpm records.

- Before replacing the stylus, make sure that the device is switched off.
- Do not bend or touch the stylus.

- Place a screwdriver at the tip of the stylus and push the stylus downward (A).
- Remove the old stylus by pulling it down and forward simultaneously.

- Hold the stylus at the front edge and insert the rear edge of the stylus into the tonearm (B).
- Push the stylus upward to lock it into position (C).

- Open the case when playing vinyl records.
- Close the case when not playing vinyl records.

- Hold vinyl records at the edges with clean hands.
- Do not touch the surface of vinyl records in order to maintain the sound quality.
- Do not touch the grooves of vinyl records.
- Store vinyl records upright and in their protective sleeve when not in use.

- Read the manual carefully before use. Keep the manual for future reference.
- The manufacturer is not liable for consequential damages or for damages to property or persons caused by non-observance of the safety instructions and improper use of the device.
- The device can be used by children from 8 years and above and by persons with a physical, sensory, mental or motor disability or lack of experience if they are supervised or instructed on how to use the device in a safe way and understand the hazards involved. Children shall not play with the device. Cleaning and user maintenance shall not be made by children without supervision.
- Only use the device for its intended purposes. Do not use the device for other purposes than described in the manual.
- Do not use the device if any part is damaged or defective. If the device is damaged or defective, replace the device immediately.
- The device is suitable for indoor use only. Do not use the device outdoors.
- The device is suitable for domestic use only. Do not use the device for commercial purposes.
- Do not use the device in locations with high humidity, such as bathrooms and swimming pools.
- Do not use the device in open water baths, showers, basins or other vessels containing water.

- Before cleaning or maintenance, always switch off the device.
- Do not use cleaning solvents or abrasives.
- Do not clean the inside of the device.
- Do not attempt to repair the device. If the device does not operate correctly, replace it with a new device.
- Do not immerse the device in water or other liquids.
- Clean the device using a soft, damp cloth. Thoroughly dry the device with a clean, dry cloth.

- Hold vinyl records at the edges with clean hands.
- Do not touch the surface of vinyl records in order to maintain the sound quality.
- Do not touch the grooves of vinyl records.
- Store vinyl records upright and in their protective sleeve when not in use.

- Read the manual carefully before use. Keep the manual for future reference.
- The manufacturer is not liable for consequential damages or for damages to property or persons caused by non-observance of the safety instructions and improper use of the device.
- The device can be used by children from 8 years and above and by persons with a physical, sensory, mental or motor disability or lack of experience if they are supervised or instructed on how to use the device in a safe way and understand the hazards involved. Children shall not play with the device. Cleaning and user maintenance shall not be made by children without supervision.
- Only use the device for its intended purposes. Do not use the device for other purposes than described in the manual.
- Do not use the device if any part is damaged or defective. If the device is damaged or defective, replace the device immediately.
- The device is suitable for indoor use only. Do not use the device outdoors.
- The device is suitable for domestic use only. Do not use the device for commercial purposes.
- Do not use the device in locations with high humidity, such as bathrooms and swimming pools.
- Do not use the device in open water baths, showers, basins or other vessels containing water.

- Before cleaning or maintenance, always switch off the device.
- Do not use cleaning solvents or abrasives.
- Do not clean the inside of the device.
- Do not attempt to repair the device. If the device does not operate correctly, replace it with a new device.
- Do not immerse the device in water or other liquids.
- Clean the device using a soft, damp cloth. Thoroughly dry the device with a clean, dry cloth.

- Hold vinyl records at the edges with clean hands.
- Do not touch the surface of vinyl records in order to maintain the sound quality.
- Do not touch the grooves of vinyl records.
- Store vinyl records upright and in their protective sleeve when not in use.

- Read the manual carefully before use. Keep the manual for future reference.
- The manufacturer is not liable for consequential damages or for damages to property or persons caused by non-observance of the safety instructions and improper use of the device.
- The device can be used by children from 8 years and above and by persons with a physical, sensory, mental or motor disability or lack of experience if they are supervised or instructed on how to use the device in a safe way and understand the hazards involved. Children shall not play with the device. Cleaning and user maintenance shall not be made by children without supervision.
- Only use the device for its intended purposes. Do not use the device for other purposes than described in the manual.
- Do not use the device if any part is damaged or defective. If the device is damaged or defective, replace the device immediately.
- The device is suitable for indoor use only. Do not use the device outdoors.
- The device is suitable for domestic use only. Do not use the device for commercial purposes.
- Do not use the device in locations with high humidity, such as bathrooms and swimming pools.
- Do not use the device in open water baths, showers, basins or other vessels containing water.

- Before cleaning or maintenance, always switch off the device.
- Do not use cleaning solvents or abrasives.
- Do not clean the inside of the device.
- Do not attempt to repair the device. If the device does not operate correctly, replace it with a new device.
- Do not immerse the device in water or other liquids.
- Clean the device using a soft, damp cloth. Thoroughly dry the device with a clean, dry cloth.

- Hold vinyl records at the edges with clean hands.
- Do not touch the surface of vinyl records in order to maintain the sound quality.
- Do not touch the grooves of vinyl records.
- Store vinyl records upright and in their protective sleeve when not in use.

- Read the manual carefully before use. Keep the manual for future reference.
- The manufacturer is not liable for consequential damages or for damages to property or persons caused by non-observance of the safety instructions and improper use of the device.
- The device can be used by children from 8 years and above and by persons with a physical, sensory, mental or motor disability or lack of experience if they are supervised or instructed on how to use the device in a safe way and understand the hazards involved. Children shall not play with the device. Cleaning and user maintenance shall not be made by children without supervision.
- Only use the device for its intended purposes. Do not use the device for other purposes than described in the manual.
- Do not use the device if any part is damaged or defective. If the device is damaged or defective, replace the device immediately.
- The device is suitable for indoor use only. Do not use the device outdoors.
- The device is suitable for domestic use only. Do not use the device for commercial purposes.
- Do not use the device in locations with high humidity, such as bathrooms and swimming pools.
- Do not use the device in open water baths, showers, basins or other vessels containing water.

- Before cleaning or maintenance, always switch off the device.
- Do not use cleaning solvents or abrasives.
- Do not clean the inside of the device.
- Do not attempt to repair the device. If the device does not operate correctly, replace it with a new device.
- Do not immerse the device in water or other liquids.
- Clean the device using a soft, damp cloth. Thoroughly dry the device with a clean, dry cloth.

- Hold vinyl records at the edges with clean hands.
- Do not touch the surface of vinyl records in order to maintain the sound quality.
- Do not touch the grooves of vinyl records.
- Store vinyl records upright and in their protective sleeve when not in use.

- Read the manual carefully before use. Keep the manual for future reference.
- The manufacturer is not liable for consequential damages or for damages to property or persons caused by non-observance of the safety instructions and improper use of the device.
- The device can be used by children from 8 years and above and by persons with a physical, sensory, mental or motor disability or lack of experience if they are supervised or instructed on how to use the device in a safe way and understand the hazards involved. Children shall not play with the device. Cleaning and user maintenance shall not be made by children without supervision.
- Only use the device for its intended purposes. Do not use the device for other purposes than described in the manual.
- Do not use the device if any part is damaged or defective. If the device is damaged or defective, replace the device immediately.
- The device is suitable for indoor use only. Do not use the device outdoors.
- The device is suitable for domestic use only. Do not use the device for commercial purposes.
- Do not use the device in locations with high humidity, such as bathrooms and swimming pools.
- Do not use the device in open water baths, showers, basins or other vessels containing water.

- Before cleaning or maintenance, always switch off the device.
- Do not use cleaning solvents or abrasives.
- Do not clean the inside of the device.
- Do not attempt to repair the device. If the device does not operate correctly, replace it with a new device.
- Do not immerse the device in water or other liquids.
- Clean the device using a soft, damp cloth. Thoroughly dry the device with a clean, dry cloth.

- Hold vinyl records at the edges with clean hands.
- Do not touch the surface of vinyl records in order to maintain the sound quality.
- Do not touch the grooves of vinyl records.
- Store vinyl records upright and in their protective sleeve when not in use.

-

