

**Fixed TV Mount**  
 suitable for drywall installations


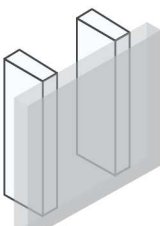




For more information: [www.nedis.com](http://www.nedis.com)

TV Size ↗  
 23"-55" ↖

TV Weight

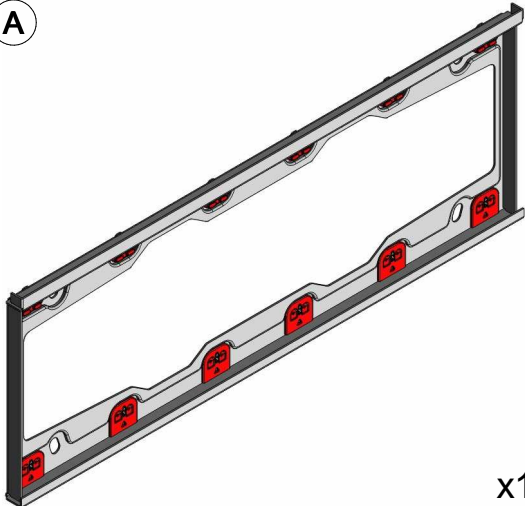
US	Max	EU
77lbs		35kg

  Suitable for drywall 0.5"/1.3cm and up	  *Additional hardware needed
---	--

	 0-3
	

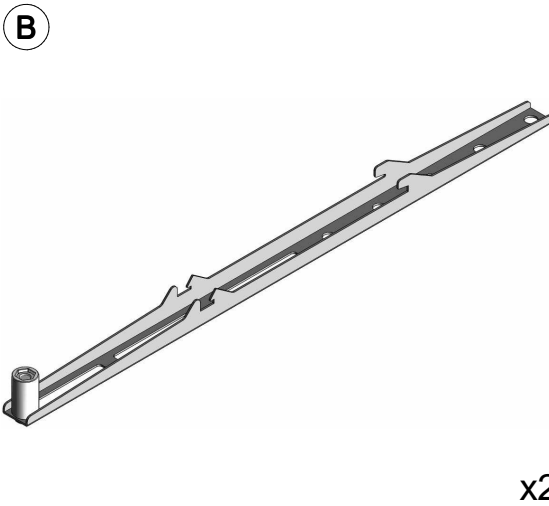
**CAUTION** This Mount is intended for use only with the maximum weight indicated. Using heavier products might cause injury.

**A**

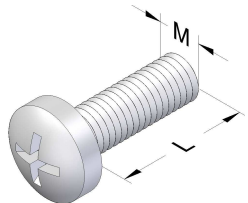


x1

**B**

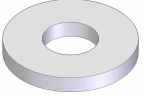


x2




#	M	L "/ mm	=
Z1	M4	3/4" / 20	x4
Z2	M6	1" / 25	x4
Z3	M8	1" / 25	x4

Z4



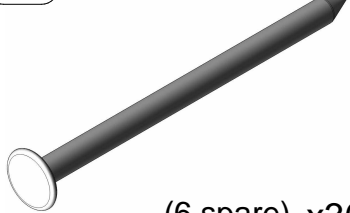
x6

Z5



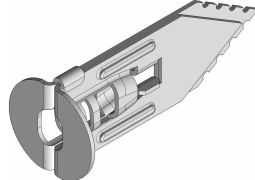
x8

Z6



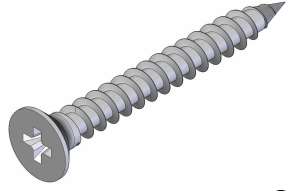
(6 spare) x30

Z7



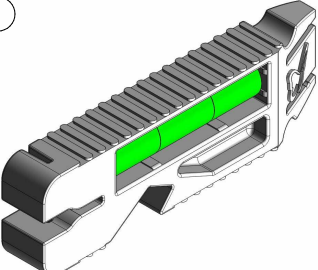
(1 spare) x3

Z8



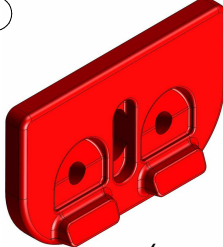
x2

Z9



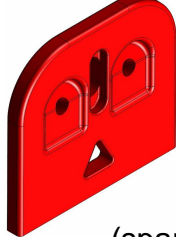
x1

Z10



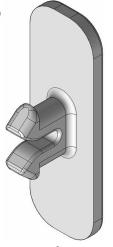
(spare) x2

Z11





(spare) x2

Z12




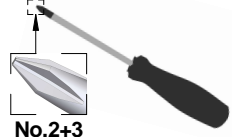
(spare) x4





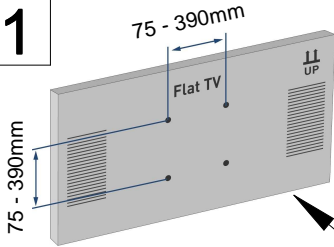
**TOOLS REQUIRED**



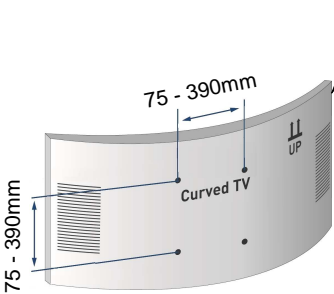


No.2+3


**1**

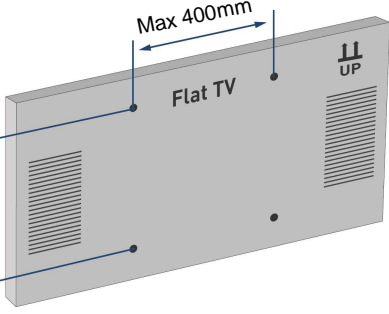


75 - 390mm  
Flat TV

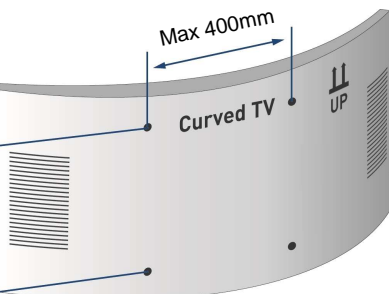


75 - 390mm  
Curved TV



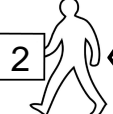


Max 400mm  
Flat TV




Max 400mm  
Curved TV

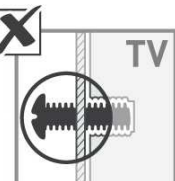
2



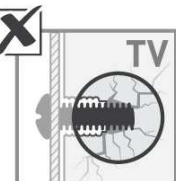
1A



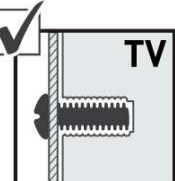
X



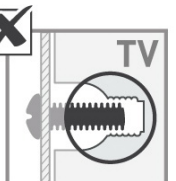
X



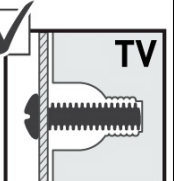
✓

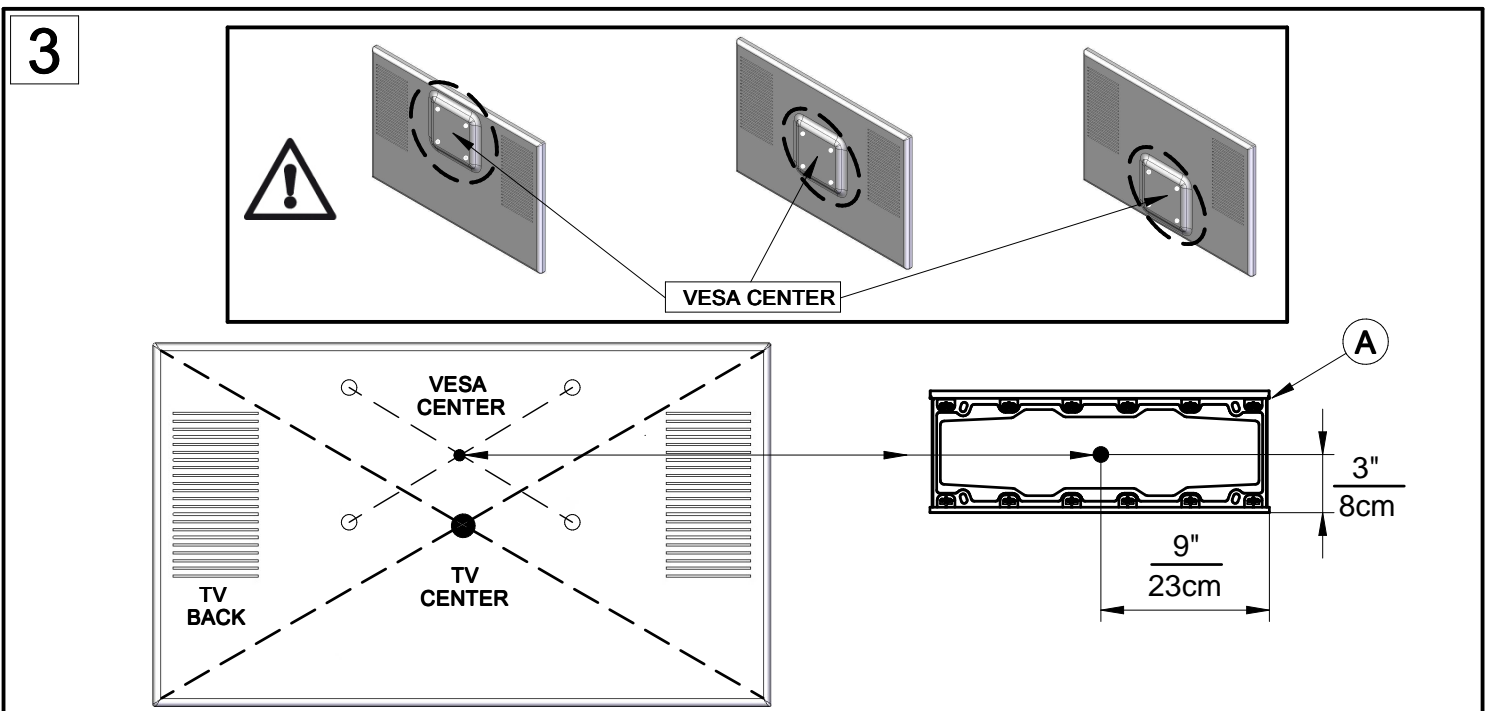
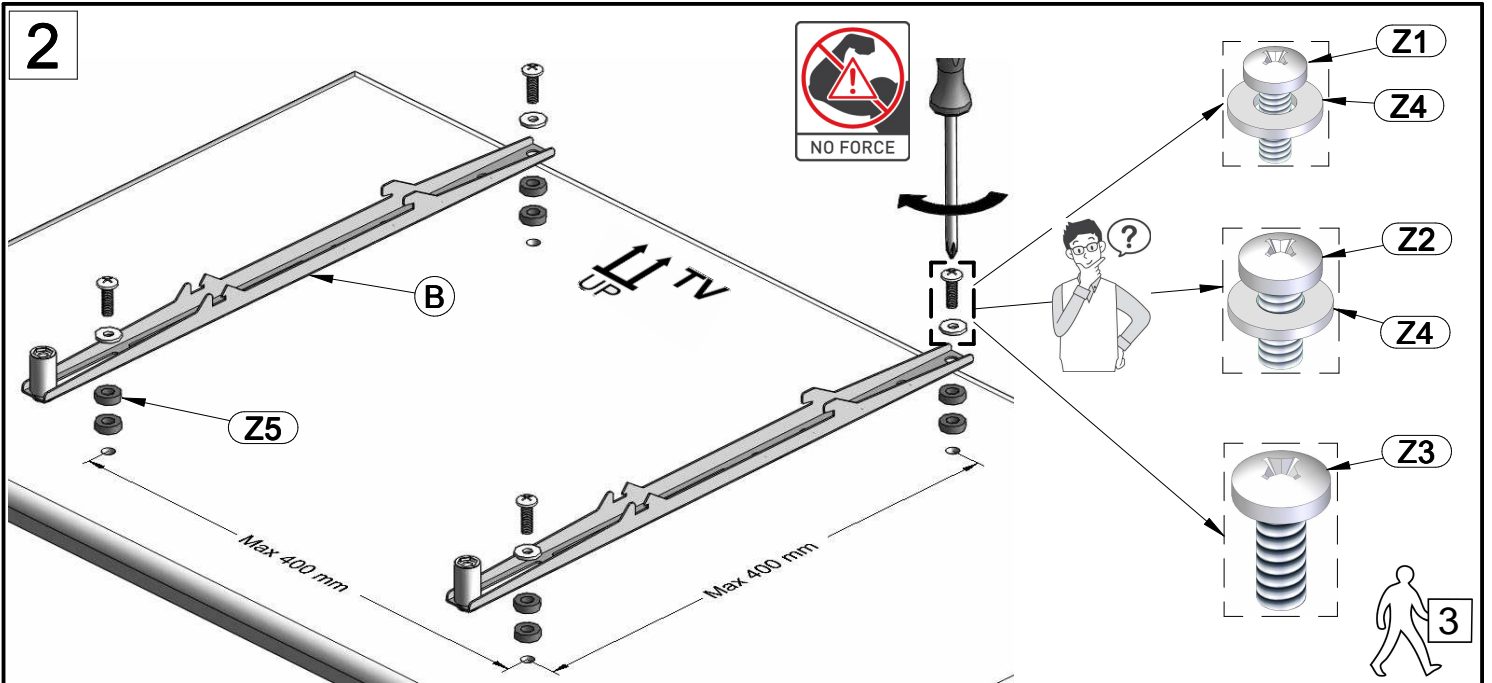
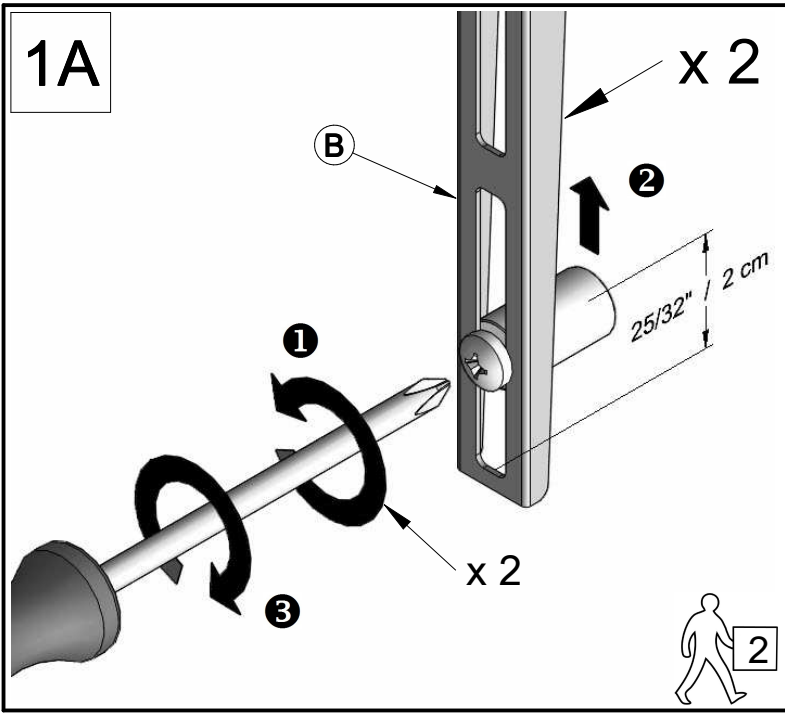


X

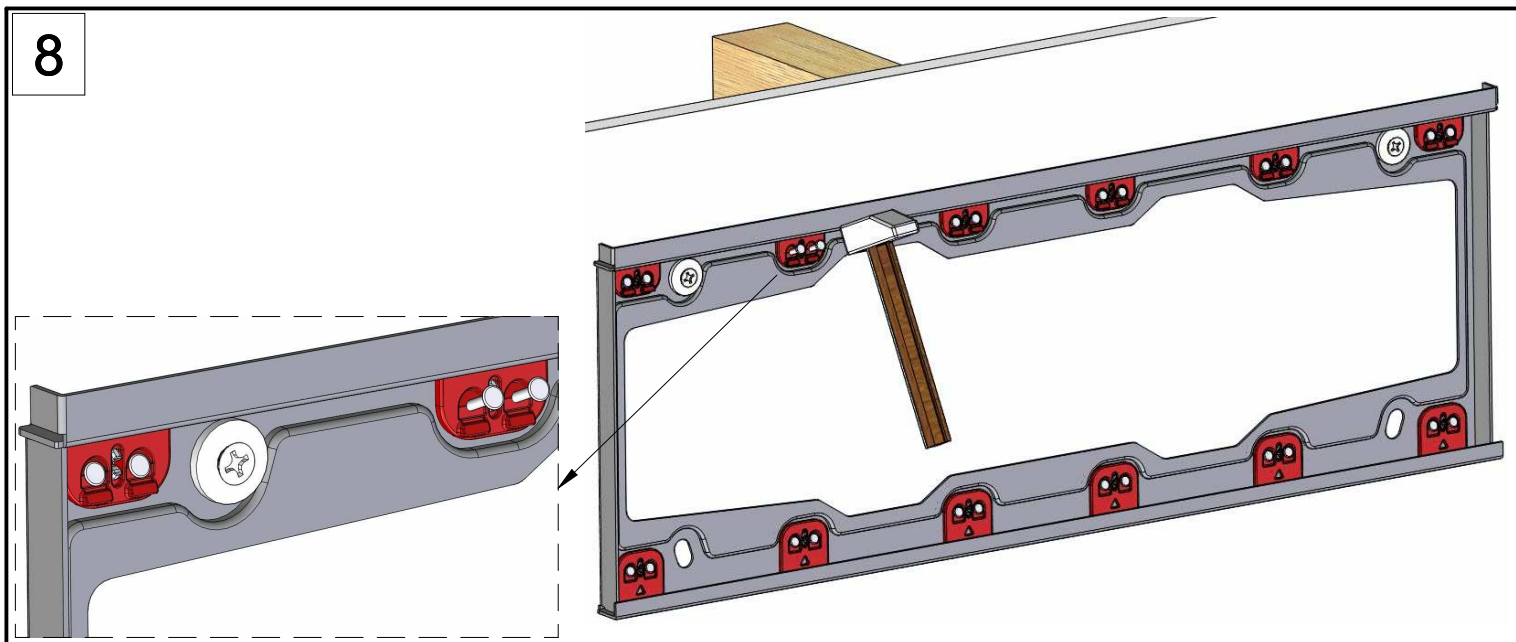
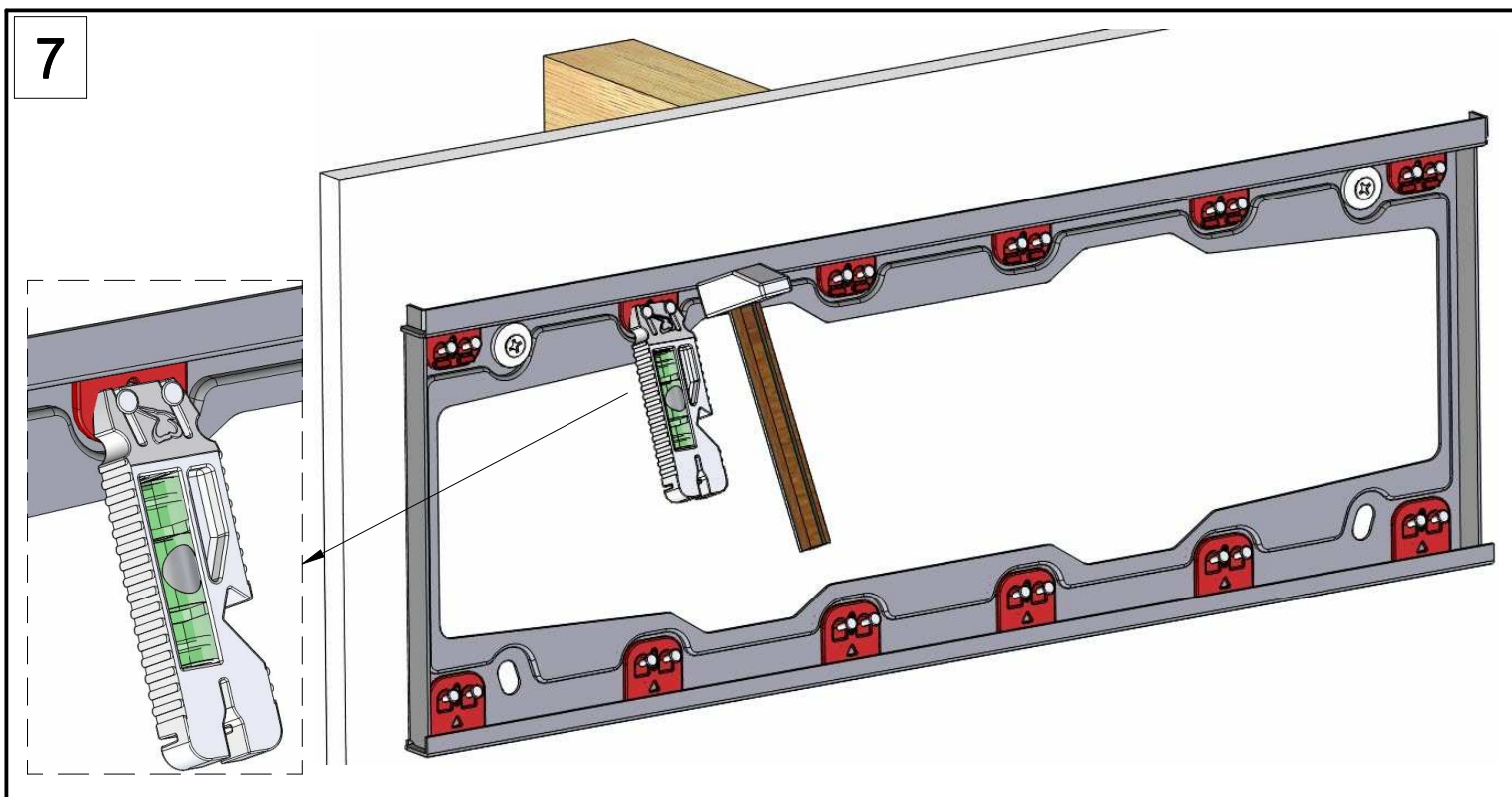
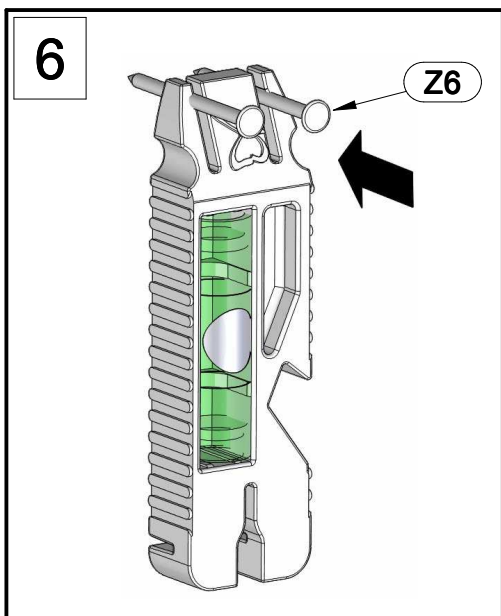


✓









**9** **TEST!**

82lbs / 37kg

**10**

**FALL PROOF**

TV

CLICK

**11** **TEST!**

NO FORCE

**12**

**LATERAL ADJUSTMENT**

FINISH

**DISCONNECT**